

## CB-90 Lift-A-Syst Flip Down Counterbalance System

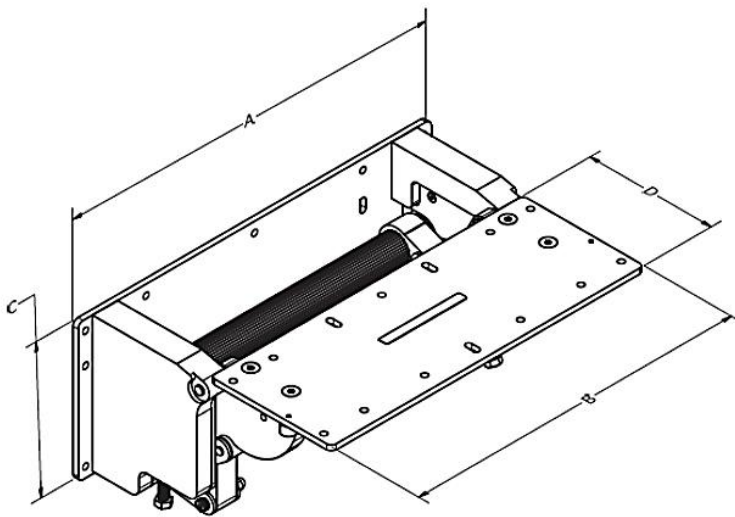
For flip down counters

### Features

- Neutralizes the weight of the countertop for effortless opening
- Weightless, providing smooth motion and softer, quieter closing
- Holds securely in open, closed and in-between positions
- No separate hinge required: hinge is incorporated into unit
- Maintenance free: manufactured without compressed gases, oils, or service schedules

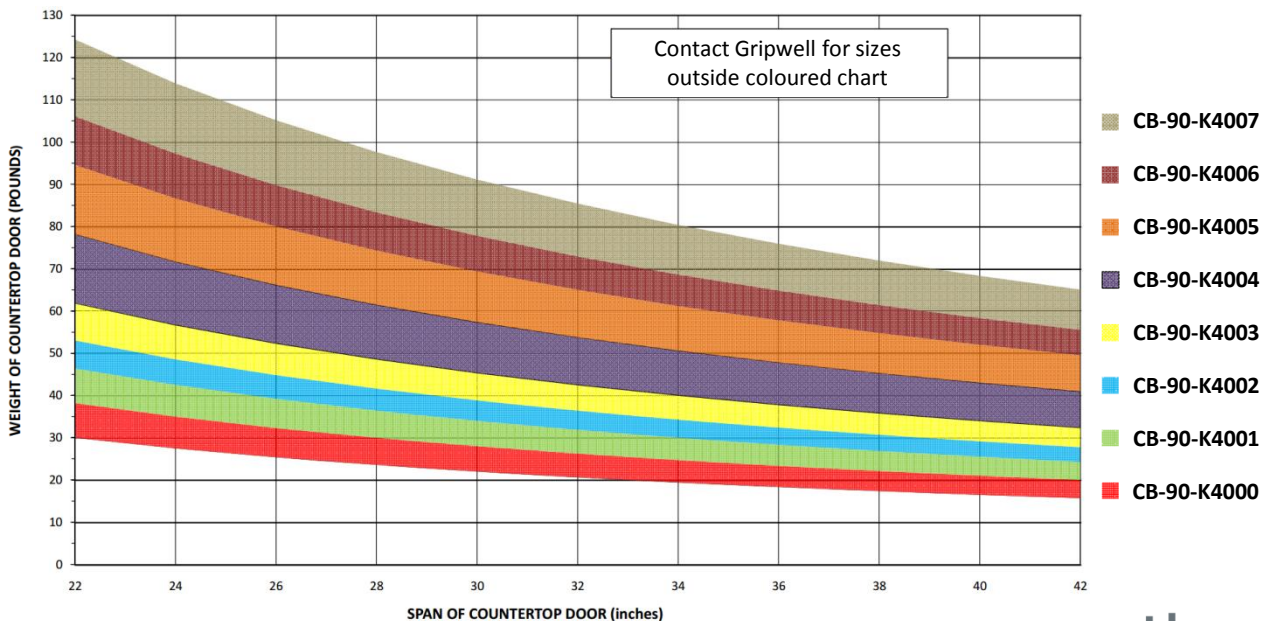
### Notes

- Die wall kit (sold separately) to be used when mounting surface is narrower than the unit
- Latch required at end to hold countertop in horizontal up position



Part No.	A	B	C	D
CB-90-K4000				
CB-90-K4001				
CB-90-K4002	15.5	17.5		
CB-90-K4003			8	6
CB-90-K4004				
CB-90-K4005	17.5	19.5		
CB-90-K4006	19.5	21.5		
CB-90-K4007	21.5	23.5		

### Selection Chart



Dimensions are in inches

**southco**  
We are proud to be Southco's authorized distributor of over 20 years

